

THIS DRAWING IS UNPUBLISHED. RELEASED FOR PUBLICATION
 © COPYRIGHT - By - ALL RIGHTS RESERVED.

LOC	DIST	REVISIONS					
FT	0	P	LTR	DESCRIPTION	DATE	DWN	APVD
		-	-	SEE SHEET 1	-	-	-

SELECT LOAD CHART

9,10	1-8	1-8	9,10	9,10	-	1-8	-	-	10	SSB7N2030	5-1546963-8
1-8	9,10	-	-	2,5,6,10	-	1,7	-	-	10	SSB7N2025	4-1546963-3
ALL	ALL	2,3,4	-	-	-	-	-	-	7	SSB7N2019	3-1546963-8
ALL	ALL	3,4	-	-	-	-	-	-	7	SSB7N2017	3-1546963-2
-	-	ALL	-	-	-	2,4	-	-	6	SSB7N2016	3-1546963-1
-	1,3,5,7	-	-	1	-	-	-	-	4	SSB7CG04032224	4-1546963-9
.250 QC TAB 90° BEND SGL SIDED	.250 QC TAB 90° BEND DBL SIDED	.250 QC TAB STRAIGHT DBL SIDED	.250 QC TAB STRAIGHT SGL SIDED	.250 QC TAB 45° BEND SGL SIDED	.187 QC TAB STRAIGHT SGL SIDED	.250 QC TAB 45° BEND DBL SIDED	.187 QC TAB 45° BEND SGL SIDED	.187 QC TAB 90° BEND SGL SIDED	NO. OF POS.	CATALOG NUMBER	PART NUMBER
⑩	⑨	⑧	⑦	⑥	⑤	④	③	②	POSITIONS LOADED		

△3△4	1.750	2.312	-	2	-	-	2	-	-	-	2	-	-	YES	3	SSB7CG030328-SPL	6-1546963-3
	11.375	11.937	-	-	-	-	-	-	-	-	-	-	-	YES	25	SSB70G250301	2-1546963-5
	10.937	11.500	-	-	-	-	-	-	-	-	-	-	-	YES	24	SSB70G240301	2-1546963-4
	10.500	11.062	-	-	-	-	-	-	-	-	-	-	-	YES	23	SSB70G230301	2-1546963-3
	10.062	10.625	-	-	-	-	-	-	-	-	-	-	-	YES	22	SSB70G220304	6-1546963-1
	10.062	10.625	-	-	-	-	-	-	-	-	-	-	-	YES	22	SSB70G220301	2-1546963-2
	9.625	10.187	-	-	-	-	-	-	-	-	-	-	-	YES	21	SSB70G210301	2-1546963-1
△4	9.187	9.750	-	-	-	-	-	-	-	-	-	-	-	YES	20	SSB70G200301	2-1546963-0
	8.750	9.312	-	-	-	-	-	-	-	-	-	-	-	YES	19	SSB7CG190301	1-1546963-9
	8.313	8.875	-	-	-	-	-	-	-	-	-	-	-	YES	18	SSB7CG180301	1-1546963-8
	7.875	8.437	-	-	-	-	-	-	-	-	-	-	-	YES	17	SSB7CG170301	1-1546963-7
	7.437	8.000	-	-	-	-	-	-	-	-	-	-	-	YES	16	SSB7CG160301	1-1546963-6
	7.000	7.562	-	-	-	-	-	-	-	-	-	-	-	YES	15	SSB7CG150301	1-1546963-5
△1△3△4	6.562	7.125	-	-	-	14	-	-	-	-	14	-	-	YES	14	SSB7N2020	3-1546963-4
	6.562	7.125	-	-	-	-	-	-	-	-	-	-	-	YES	14	SSB7CG140301	7-1437415-6
	6.125	6.687	-	-	-	-	-	-	-	-	-	-	-	YES	13	SSB7CG130301	1-1546963-3
	5.687	6.250	-	-	-	-	-	-	-	-	-	-	-	YES	12	SSB7CG120301	1-1546963-2
△3	5.250	5.812	-	-	-	-	11	11	-	-	-	-	-	YES	11	SSB7CG110329	1-1546963-6
	5.250	5.812	-	-	-	-	-	-	-	-	-	-	-	YES	11	SSB7CG110301	1-1546963-1
△3△4	4.812	5.375	-	-	2	8	8	2	2	-	8	-	-	YES	10	SSB7N2030	5-1546963-8
△3△4	4.812	5.375	-	-	2	8	-	-	4	-	2	-	-	NO	10	SSB7N2025	4-1546963-3
	4.812	5.375	-	-	-	-	-	-	-	-	-	-	-	YES	10	SSB7CG100301	1-1546963-0
DIM B	DIM A	JUMPER	.250 QC TAB 90° BEND DBL SIDED	.250 QC TAB 90° BEND SGL SIDED	.250 QC TAB 90° BEND DBL SIDED	.250 QC TAB STRAIGHT DBL SIDED	.250 QC TAB STRAIGHT SGL SIDED	.250 QC TAB 45° BEND SGL SIDED	.187 QC TAB STRAIGHT SGL SIDED	.250 QC TAB 45° BEND DBL SIDED	.187 QC TAB 45° BEND SGL SIDED	.187 QC TAB 90° BEND SGL SIDED	SSB7 BUSHING	NO. OF POS.	CATALOG NUMBER	PART NUMBER	
			⑭	⑩	⑨	⑧	⑦	⑥	⑤	④	③	②	①	QUANTITIES			

THIS DRAWING IS A CONTROLLED DOCUMENT.

DWN S SCHL GEL 3/5/04
 CHK S YODER 3/5/04
 APVD S YODER 3/5/04

STE TE Connectivity

NAME: SSB7CGXX0301

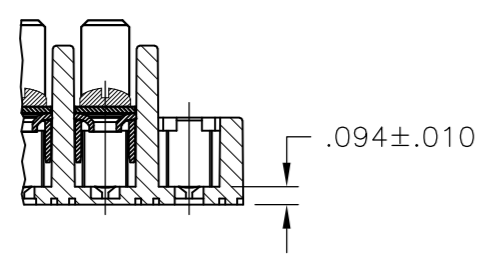
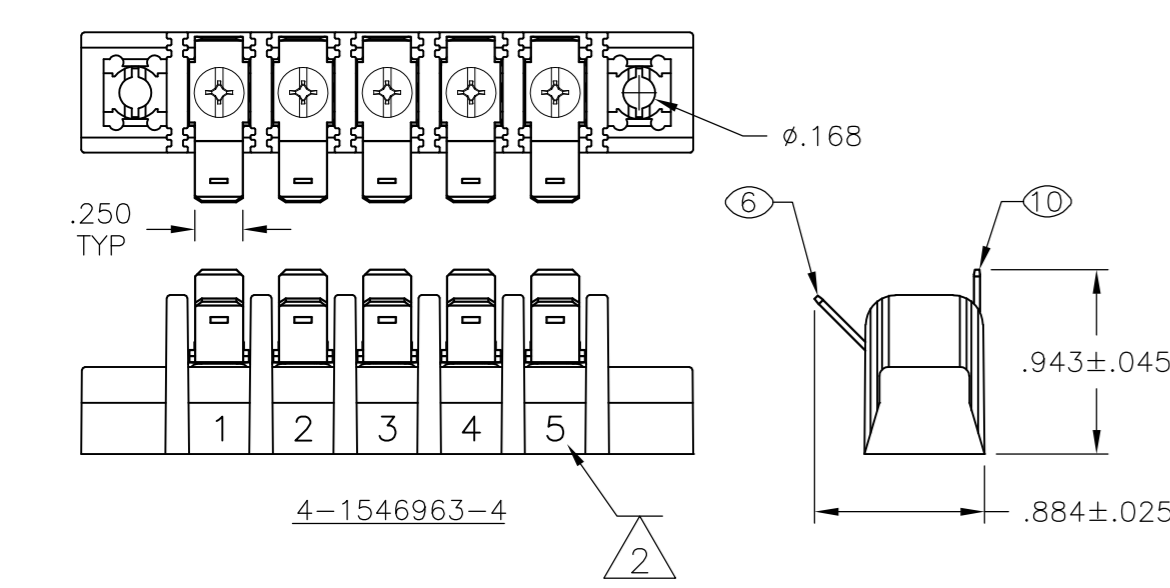
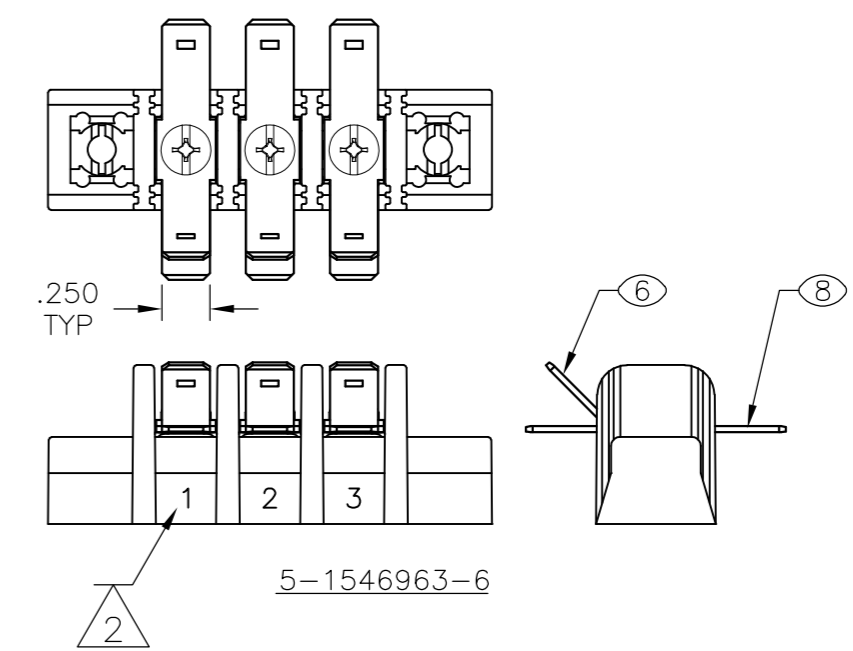
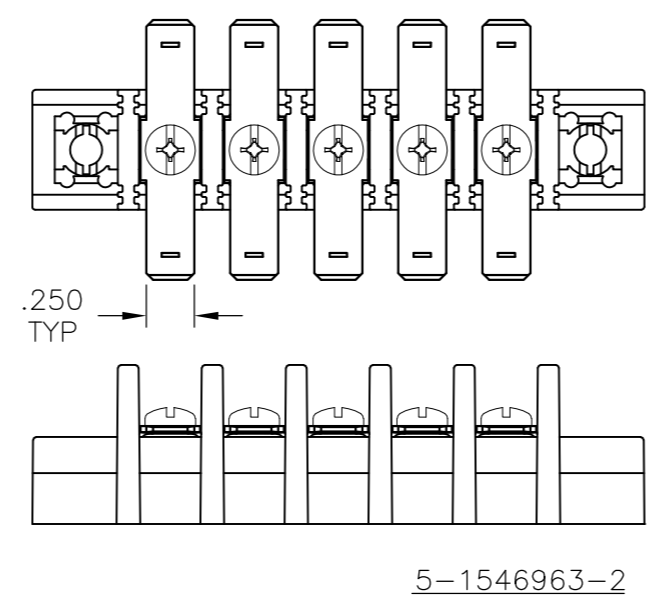
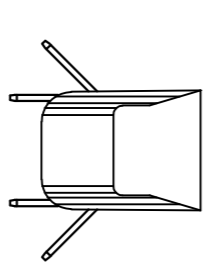
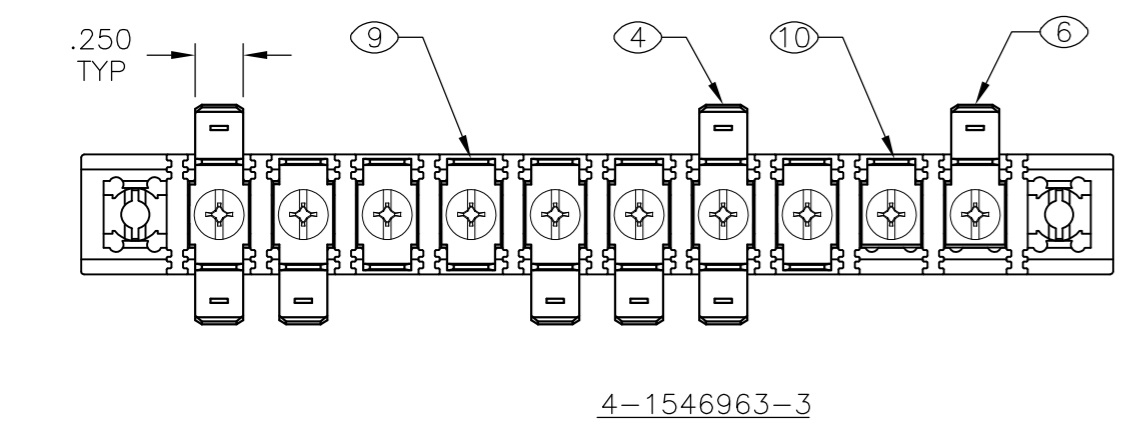
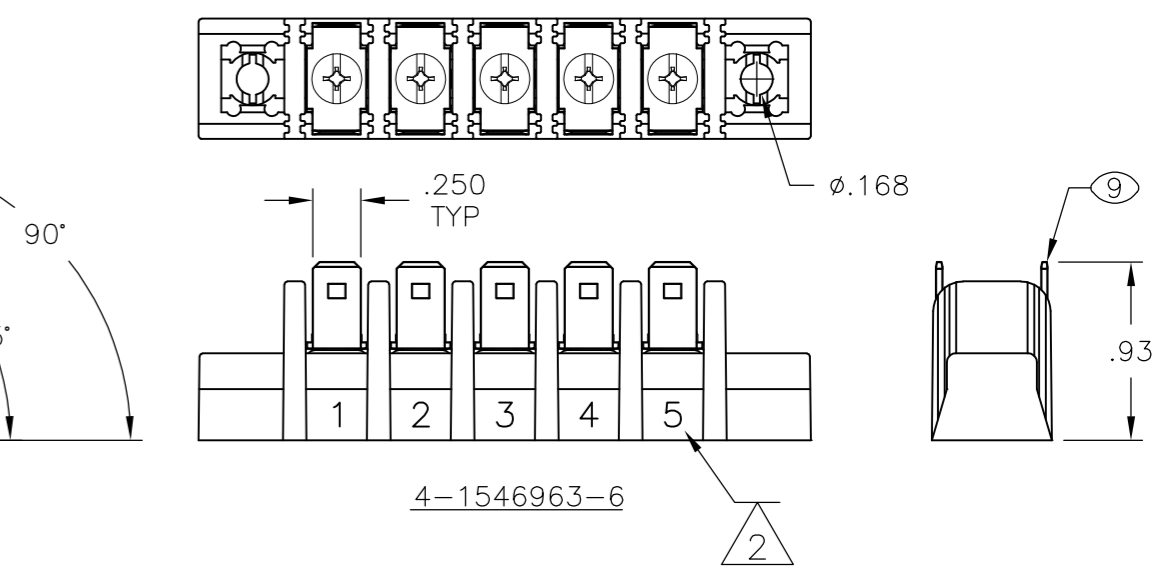
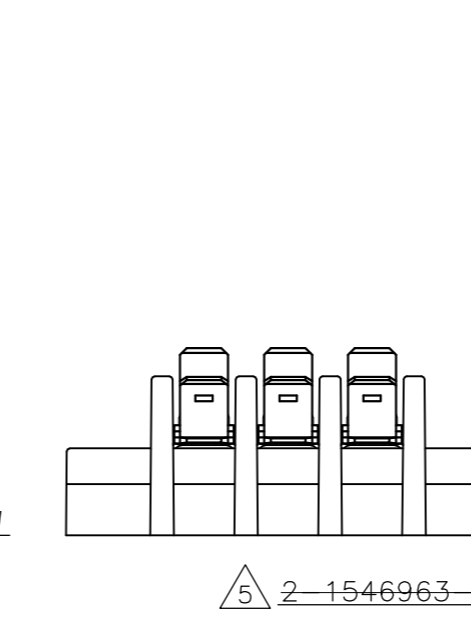
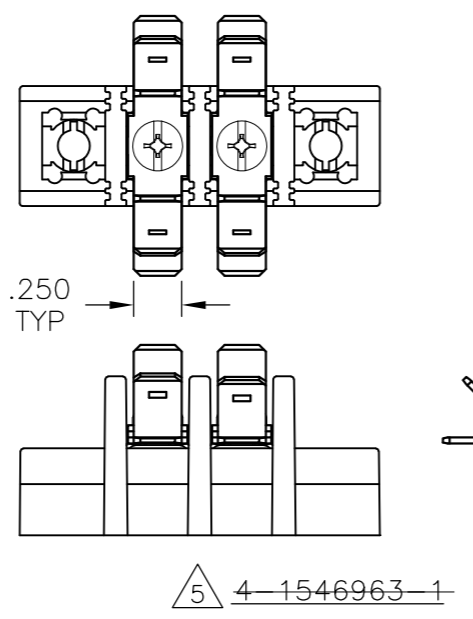
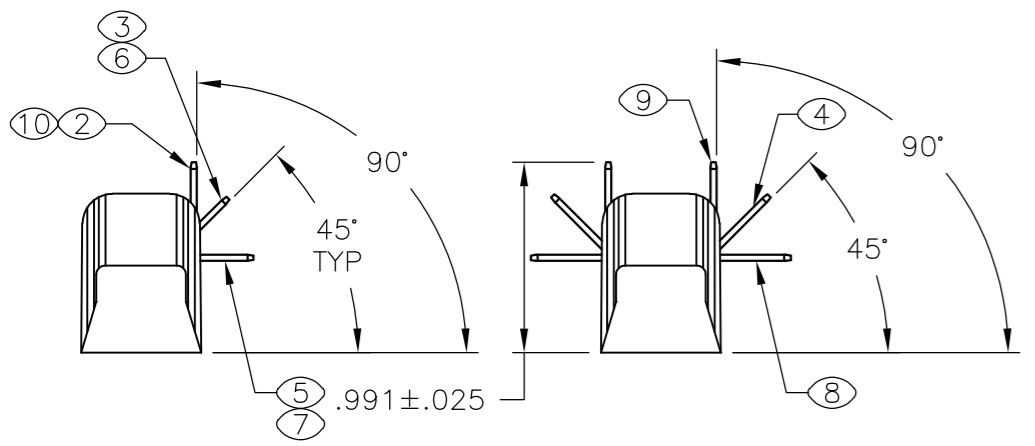
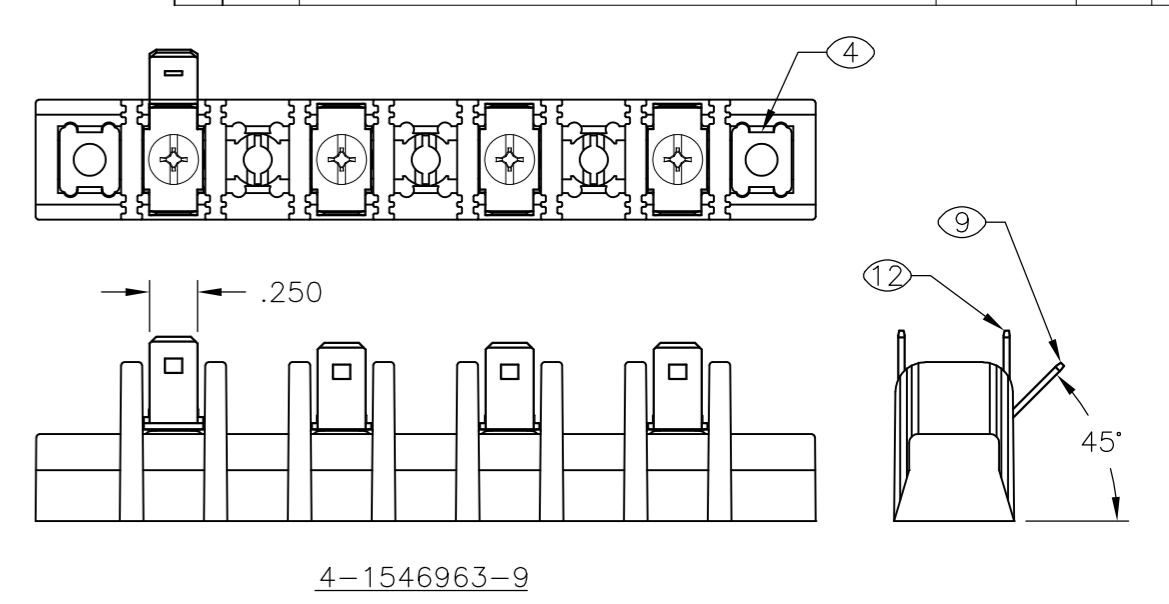
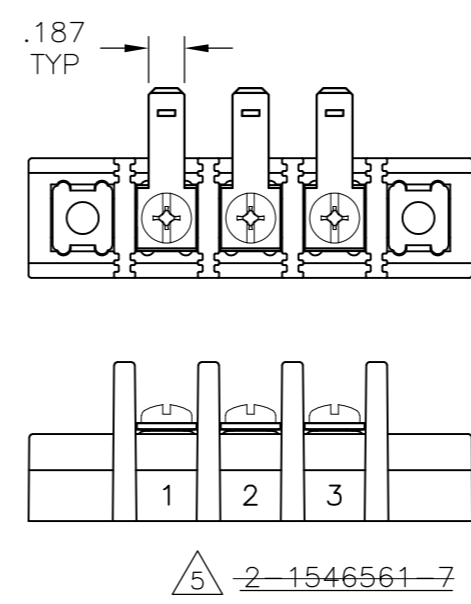
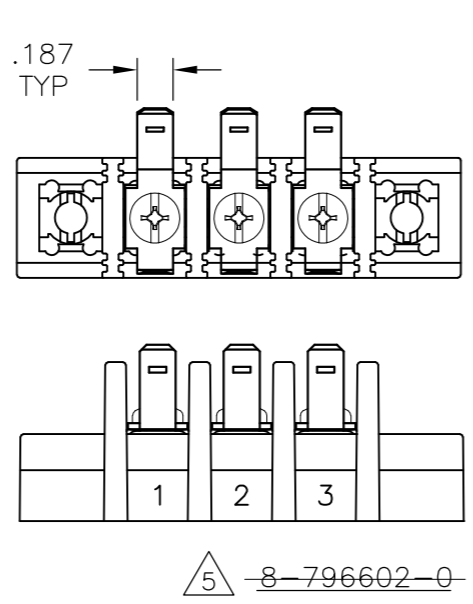
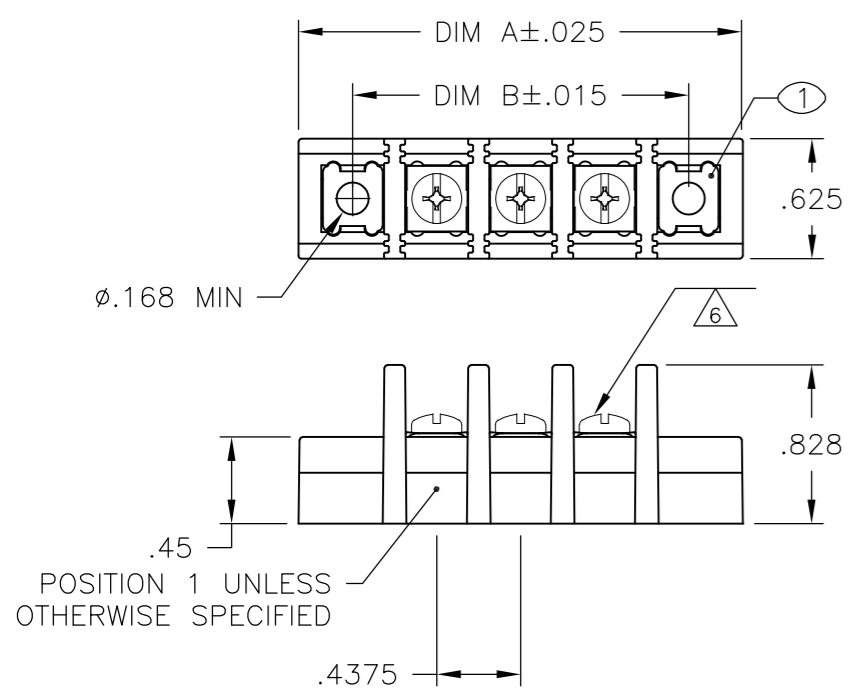
SIZE: A2 CAGE CODE: 00779 DRAWING NO: 8-796602-0 RESTRICTED TO: -

MATERIAL: - FINISH: - WEIGHT: -

CUSTOMER DRAWING SCALE: NTS SHEET: 2 of 4 REV: R

THIS DRAWING IS UNPUBLISHED. RELEASED FOR PUBLICATION
 © COPYRIGHT - By - ALL RIGHTS RESERVED.

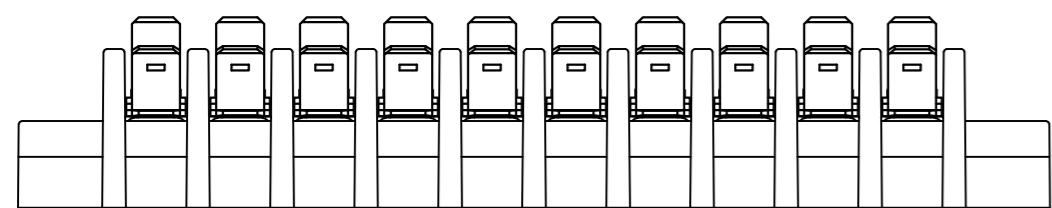
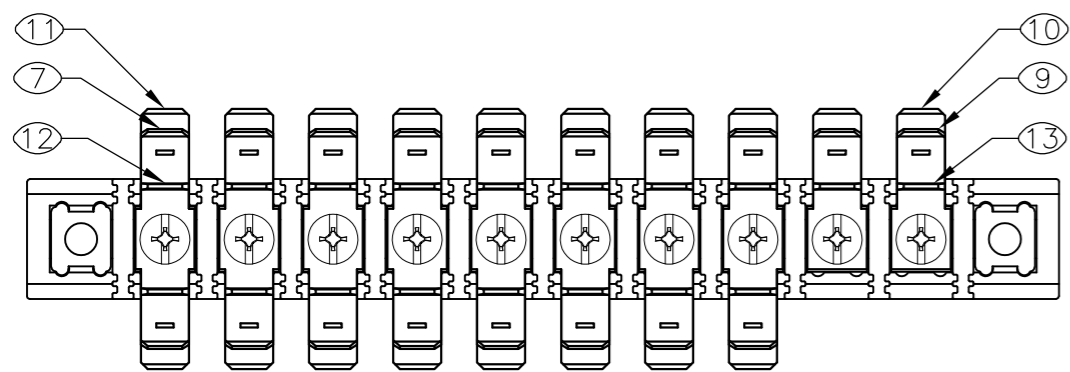
LOC		DIST		REVISIONS			
P	LTR	DESCRIPTION	DATE	DWN	APVD		
FT	0						
SEE SHEET 1							



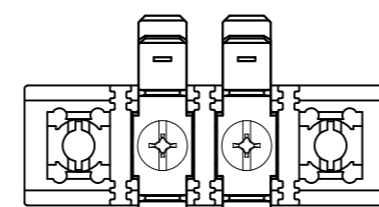
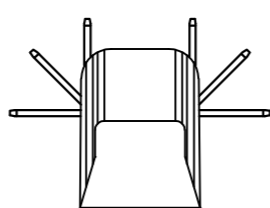
THIS DRAWING IS A CONTROLLED DOCUMENT.		DWN	S SCHLUGEL	3/5/04	 TE Connectivity SSB7CGXX0301	SIZE	CAGE CODE	DRAWING NO	RESTRICTED TO	
DIMENSIONS: INCHES		CHK	S YODER	3/5/04		NAME	A2	00779	C=8-796602-0	-
TOLERANCES UNLESS OTHERWISE SPECIFIED:		APVD	S YODER	3/5/04		PRODUCT SPEC	SCALE	NTS	SHEET	3 OF 4
0 PLC ± - 1 PLC ± - 2 PLC ± .02 3 PLC ± .010 4 PLC ± - ANGLES ± 3° FINISH -		APPLICATION SPEC	-	WEIGHT		-	REV	R		
MATERIAL -		CUSTOMER DRAWING								

THIS DRAWING IS UNPUBLISHED. RELEASED FOR PUBLICATION
 © COPYRIGHT - By - ALL RIGHTS RESERVED.

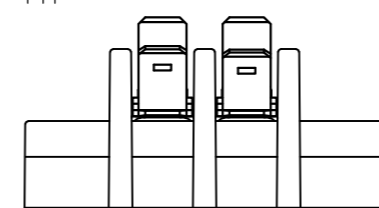
LOC		DIST		REVISIONS			
P	LTR	DATE	DWN	APVD	DESCRIPTION		
FT	0	-	-	-	SEE SHEET 1		



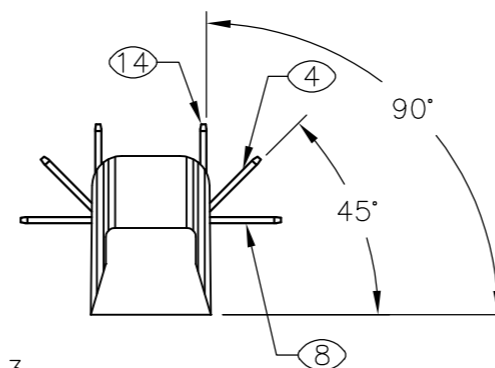
5-1546963-8



.250
TYP



6-1546963-3



THIS DRAWING IS A CONTROLLED DOCUMENT.		DWN	S SCHLDEL	3/5/04	TE TE Connectivity																	
DIMENSIONS: INCHES		CHK	S YODER	3/5/04																		
TOLERANCES UNLESS OTHERWISE SPECIFIED:		APVD	S YODER	3/5/04																		
<table border="0"> <tr><td>0 PLC</td><td>±</td><td>-</td></tr> <tr><td>1 PLC</td><td>±</td><td>-</td></tr> <tr><td>2 PLC</td><td>±</td><td>.02</td></tr> <tr><td>3 PLC</td><td>±</td><td>.010</td></tr> <tr><td>4 PLC</td><td>±</td><td>-</td></tr> <tr><td>ANGLES</td><td>±</td><td>3°</td></tr> </table>		0 PLC	±	-		1 PLC	±	-	2 PLC	±	.02	3 PLC	±	.010	4 PLC	±	-	ANGLES	±	3°	PRODUCT SPEC	NAME
0 PLC	±	-																				
1 PLC	±	-																				
2 PLC	±	.02																				
3 PLC	±	.010																				
4 PLC	±	-																				
ANGLES	±	3°																				
MATERIAL		APPLICATION SPEC		SSB7CGXX0301																		
FINISH		WEIGHT	SIZE		CAGE CODE																	
-		-	A2		00779																	
		CUSTOMER DRAWING		DRAWING NO																		
				C=8-796602-0																		
		SCALE		SHEET																		
		NTS		4 of 4																		
				REV																		
				R																		